

AWM II

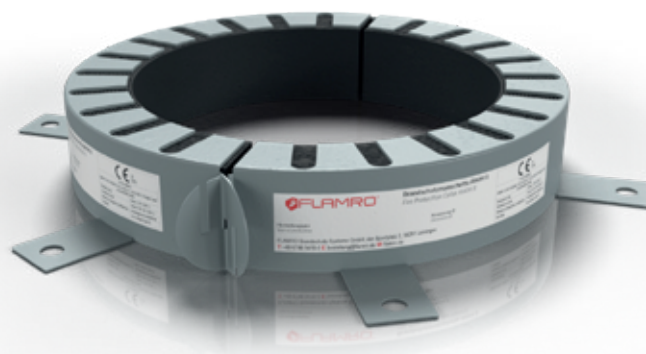
Collars

Description

Externally attached fire protection collar consisting of a sheet steel housing with an intumescent inlay. In the event of fire, the intumescent inlay reacts with strong expansion pressure and permanently closes the opening of the building element to prevent the passage of fire and smoke.

Application Areas

- Fire protection collar for use on combustible pipes with and without insulation.
- Suitable for a variety of special pipes and design variants.
- Installation in plasterboard walls, solid walls and solid floors.



Delivery and Packaging

AWM II		Qty.
Packaging		
Diameter	Item number	
Ø 32 mm	01142032	
Ø 40 mm	01142040	
Ø 50 mm	01142050	
Ø 63 mm	01142063	
Ø 75 mm	01142075	
Ø 90 mm	01142090	
Ø 110 mm	01142110	
Ø 125 mm	01142125	
Ø 140 mm	01142140	
Ø 160 mm	01142160	
Ø 180 mm	01142180	
Ø 200 mm	01142200	

AWM II		Qty.
Packaging		
Diameter	Item number	
Ø 225 mm	01142225	
Ø 250 mm	01142250	
Ø 280 mm	01142280	
Ø 315 mm	01142315	
Ø 355 mm	01142355	
Ø 400 mm	01142400	
Ø 450 mm	01142450	
Ø 500 mm	01142500	

AWM II

Technical Data

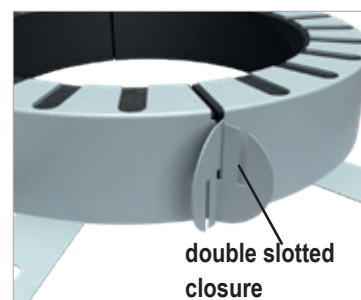
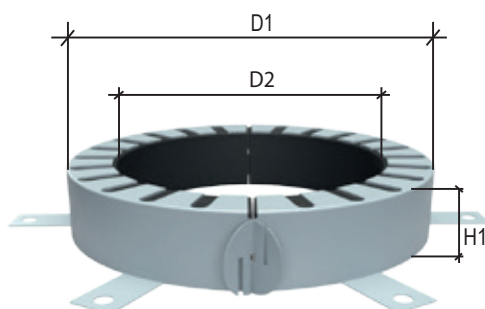
Material	<ul style="list-style-type: none"> • powder-coated sheet steel housing up to external Ø 200 mm • galvanised sheet steel housing from external Ø 225 mm • intumescent inlay
Coating	<ul style="list-style-type: none"> • light grey (housing) • anthracite (inlay)
Expansion rate	18 to 38 times
Usage category	Type X in acc. with EOTA TR024

Storage	Dry indoors.
Safety information	Please note the safety data sheet.

Dimensions

Collar size Ø	Internal Ø D2	External Ø D1	Installation height H1	Number of tabs [n]	Size adjustable
32	40	50	26.0	2	✓
40	48	58	26.0	2	
50	57	68	26.0	2	
63	70	94	26.0	4	
75	83	106	26.0	4	
90	100	132	26.6	4	
110	120	155	26.6	4	
125	135	172	40.0	4	
140	152	200	40.0	6	
160	169	220	40.0	6	
180	184	264	40.0	8	-
200	204	284	40.0	8	
225	239	328	51.5	10	
250	264	353	51.5	10	
280	289	378	51.5	12	
315	328	417	51.5	12	
355	370	459	51.5	12	
400	415	504	51.5	12	

All specifications in mm



Errors, misprints and changes reserved. All of the information corresponds to the state of technology and the version of the standard that existed at the time of printing (24.05). We will gladly provide you with information on request regarding the legal and technical framework conditions or manufacturer specifications applicable to your individual case.
 © Copyright Flamro Brandschutz-Systeme GmbH, Leiningen. FLAMRO® is a registered trademark ® of Flamro Brandschutz-Systeme GmbH.